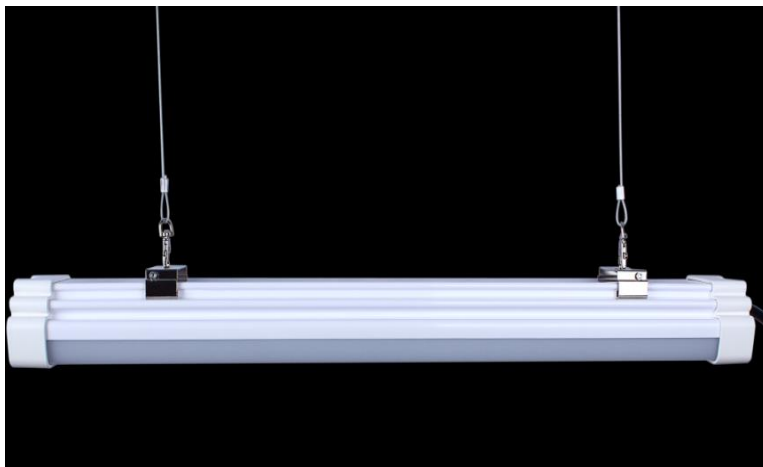


EWM 2ft-8ft Linear Tri-Proof Lowbay

Replaces 32W-128W Linear Fluorescent Vaporproof



Features

- Unique patent design, UL, cUL, DLC, (Pending) CE, ROHS certificate
- High impact test, IK09
- IP Rating IP65
- 5 years warranty
- Long lifespan 50000hrs.
- Convention installation for linking in series.
- Dimmable, emergency, sensor available.
- Maximum 3M long for single product
- High luminous efficiency 120LM/W

Ordering information

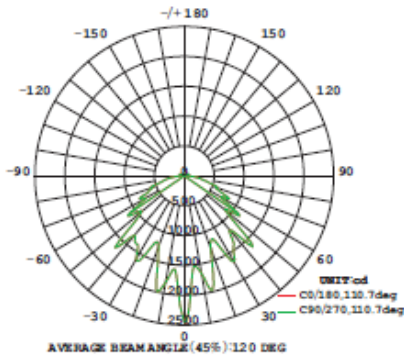
Family	Lgt (in.)	Watts	Voltage/Driver	Lens Beam	CRI Color	Mounting Options	Sort #	Misc
TP	24	20	MIN= Multi-Volt, Internal, No Dim MID= Multi-Volt, Internal, 0-10V Dimming	FP27 Frosted Poly, 270 deg	830 = 80+ CRI, 3000K	C0 = Cable Mount no options C1 = Cable Mount, motion sensor, 3-step dimming C2 = Cable Mount, 0-10V dimming S0 = Surface Mount, no options S1= Surface Mount, motion sensor & 3-step dimming S2 = Surface Mount, 0-10V dimming P0 = Pendant Mount, no options	302	EB = Emergency Backup C6 = 6ft Cord
	36	25			840 = 80+ CRI, 4000K			
	48	36			850 = 80+ CRI, 5000K			
	48	45						
	60	60						
	96	70						

Example: TP-24-20-MIN-FP27-840-S0-302

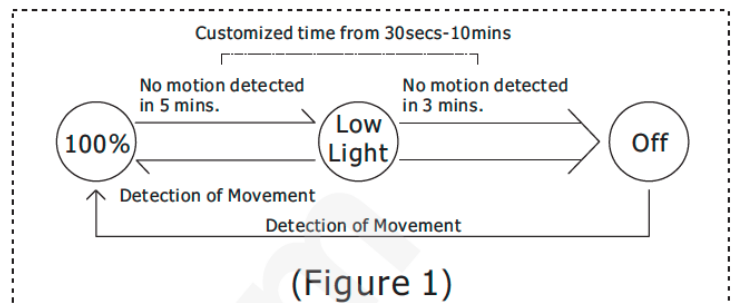
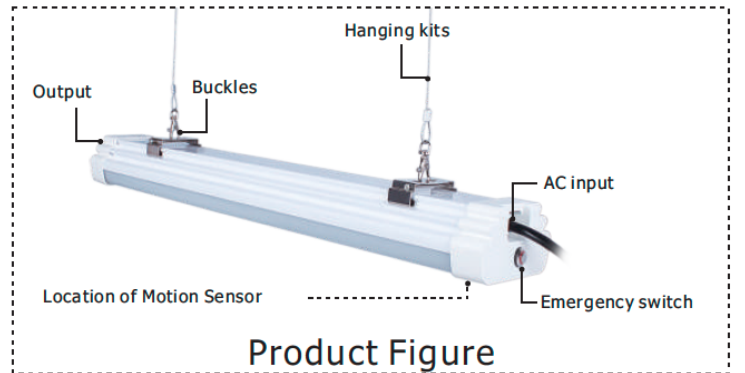
SPECIFICATIONS

LENGTH	2ft	3ft	4ft	4ft	5ft	8ft
WATTAGE	20W	25W	36W	45W	60W	70W
LUMENS	2400	3000	4320	5400	7200	8400
LUMENS PER WATT	120LM/W					
BEAM ANGLE	270					
COLOR TEMPERATURES	3000K/4000K/5000K					
INPUT VOLTAGE	100-277V					
HERTZ	50/60Hz					
CRI	>80					
LED L70 LIFETIME	50,000HRS					
MOUNTING OPTIONS	Ceiling mounted or suspended mounted					
CONTROL OPTIONS	N/A					
DIMENSIONS(mm)	94W*60H					
OPERATING TEMP	-25C+40C					
CERTIFICATIONS	UL ,cUL, DLC (Pending)CE, ROHS, IP65, IK09					
WARRANTY	5 years					

Photometric

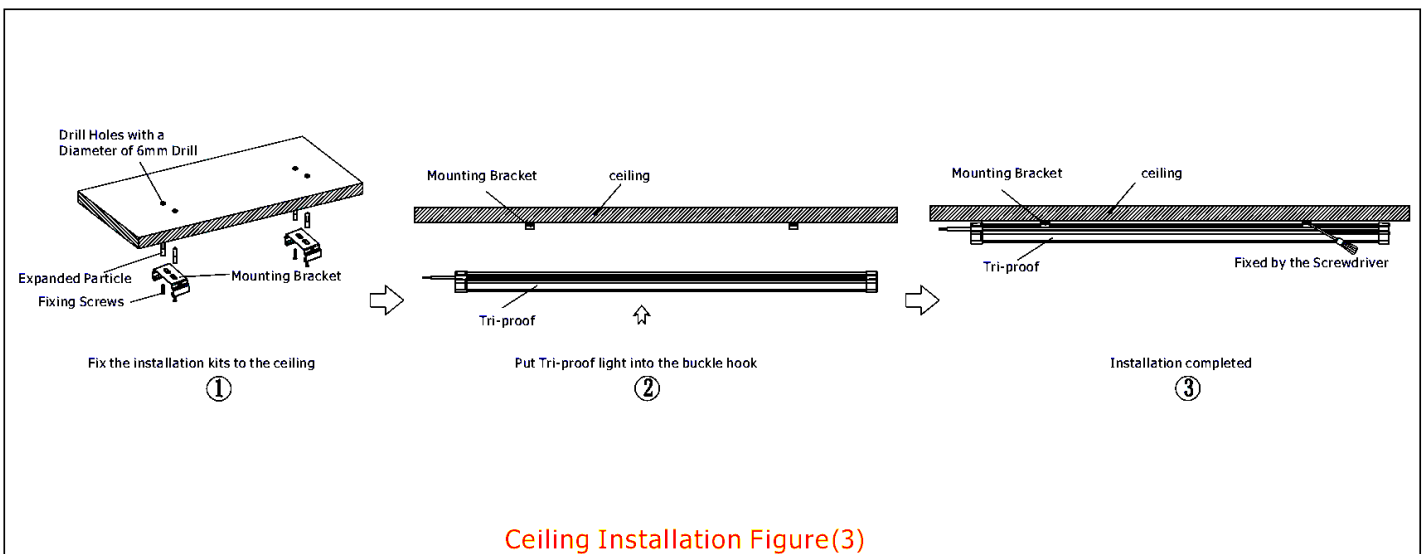
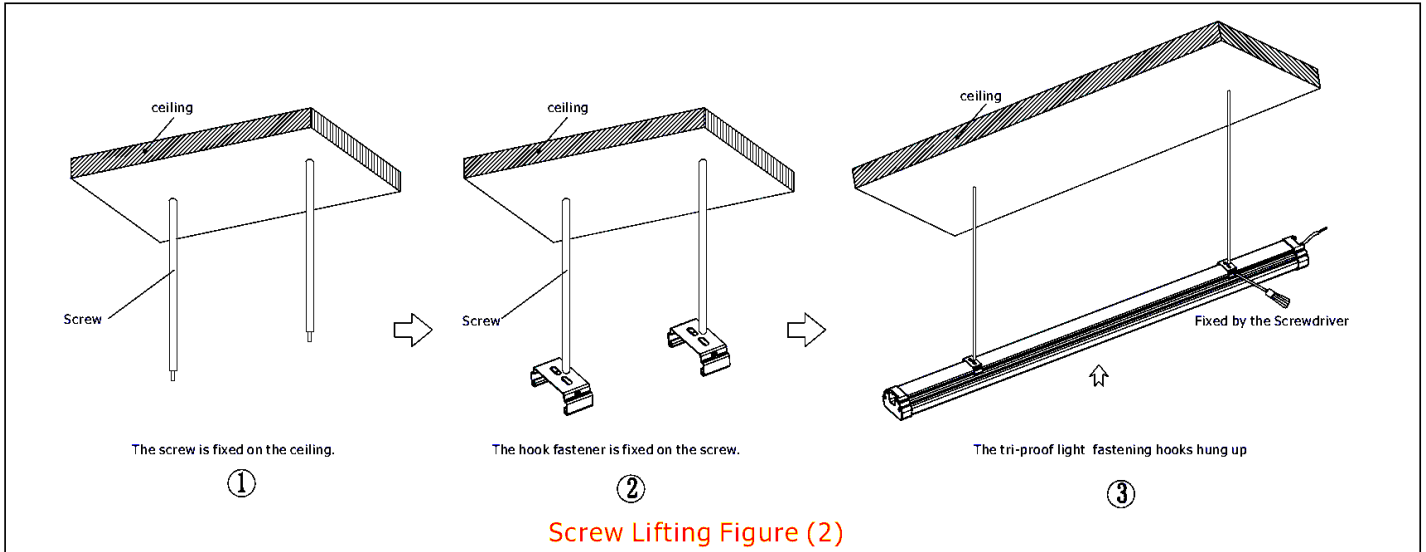
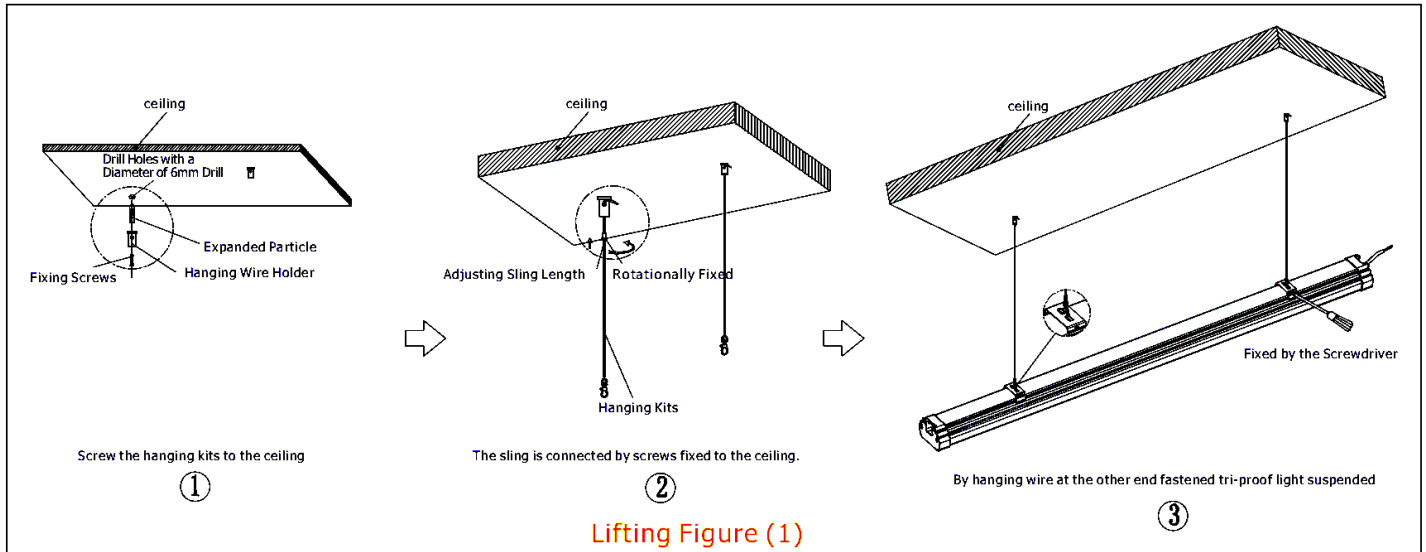


Usage

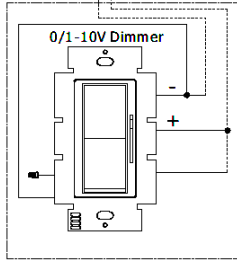
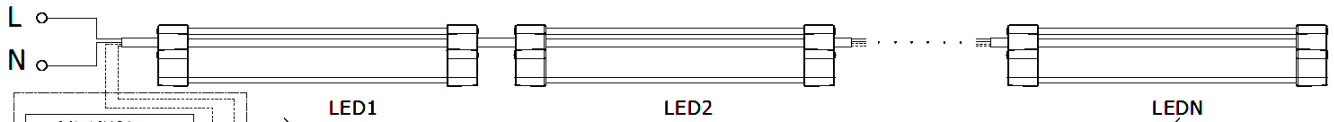


(Figure 1)

Installation



100V-277V



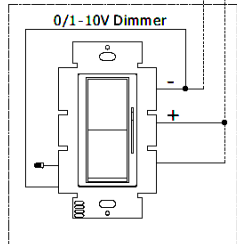
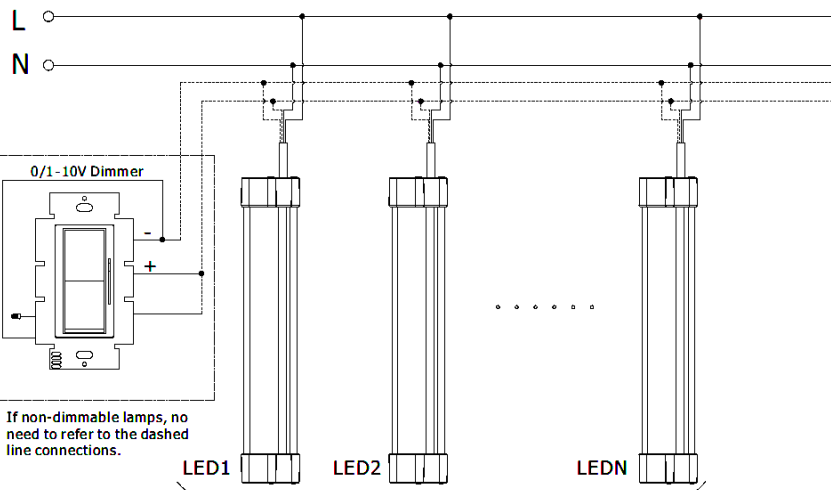
If non-dimmable lamps, no need to refer to the dashed line connections.

Remarks:

- 120 voltage input, the total power of multiple series lamps can not exceed 400W.
- 230 voltage input, the total power of multiple series lamps can not exceed 800W.
- 277 voltage input, the total power of multiple series lamps can not exceed 1000W.

Wiring Figure (1)

100V-277V



If non-dimmable lamps, no need to refer to the dashed line connections.

The quantity of parallel connection according to the electric current of 'L\N' trunk.

Wiring Figure (2)

Operating Cost Comparison

32W Fluorescent	EWM 20W	Comparison
37W (incl. ballast)	20W	46% reduction
54W Fluorescent	EWM 25W	
62W (incl. ballast)	25W	60% reduction
64W Fluorescent	EWM 36W	
74W (incl. ballast)	36W	51% reduction
96W Fluorescent	EWM 45W	
110W (incl. ballast)	45W	59% reduction
128W Fluorescent	EWM 70W	
147W (incl. ballast)	70W	52% reduction
20,000hr life	50,000hr life	2.5x longer life- less maintenance!

Product enhancements may result in specification changes without notice. Contact us for the latest information